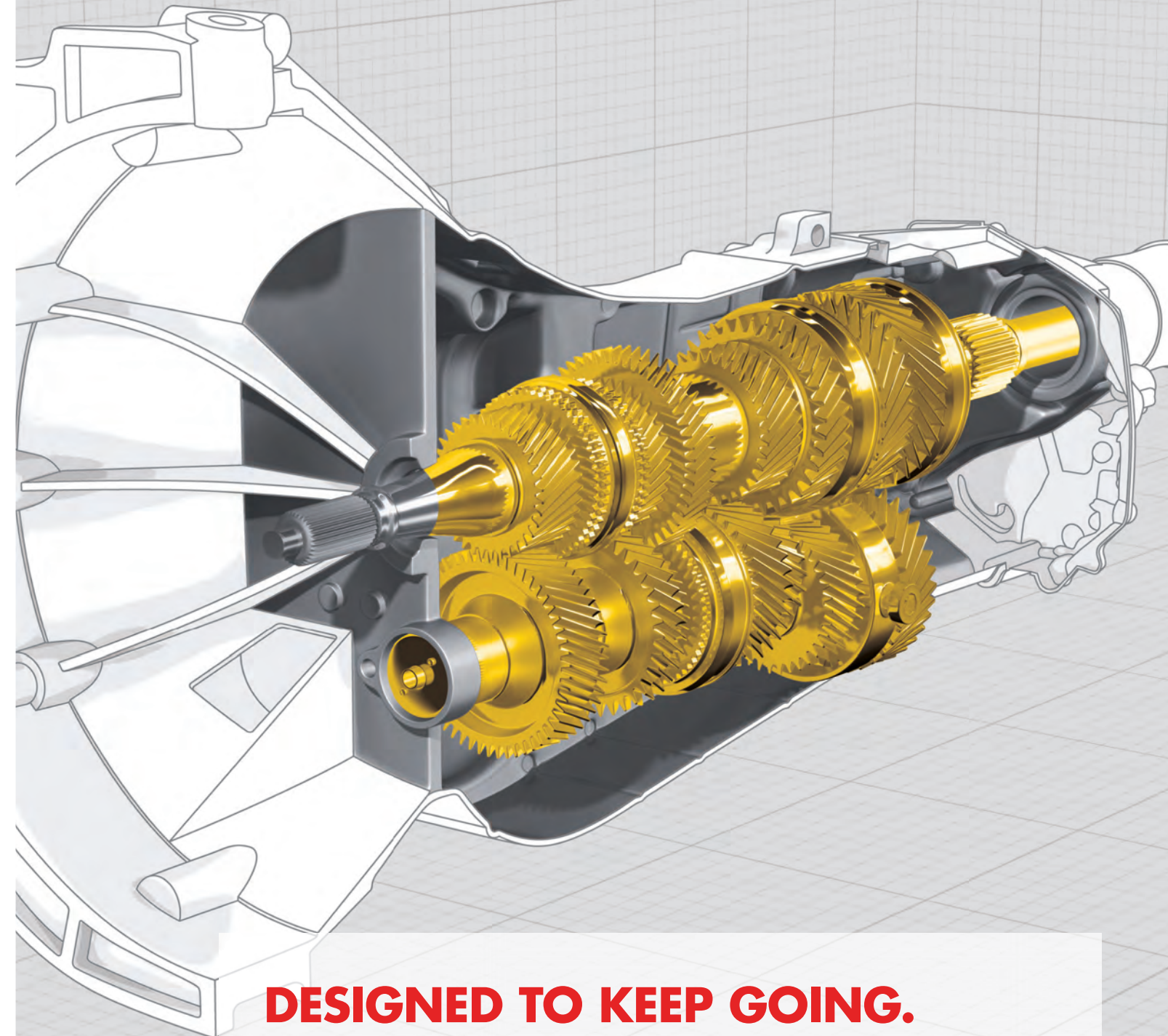


Product	Benefits	Specifications and approvals (Full details of approvals for all products can be obtained from your Shell representative.)
Gearboxes and manual transmissions		
Shell Spirax S6 GXME	<ul style="list-style-type: none"> ■ Exceptional performance ■ Energy efficient ■ Maintenance saving 	Exceeds requirements of API GL-4 and MF-1; meets requirements of ZF TE-ML-02D Approved by MAN 341 Type E4; and Volvo 97307
Shell Spirax S2 G	<ul style="list-style-type: none"> ■ Proven performance 	Meets requirements of API GL-4
Axles		
Shell Spirax S6 AXME	<ul style="list-style-type: none"> ■ Exceptional performance ■ Energy efficient ■ Maintenance saving 	Meets requirements of API GL-5 and MF-1; MIL-PRF-2105E; and SAE J2360 Approved by AGMA Standard 250.03; ArvinMeritor O76-N, O76-E, O76-M, O76-Q and O76-R; DAF; Dana SAES-256 Rev. C; GE D50E9C; International TMS 6816; Mack GLJ and GOJ Plus; MAN 342 Type S1; Scania STO 1.0; US Steel 224; Volvo 97312; ZF TE-ML 05B, 07A, 12B, 16F, 17B, 19C and 21B
Shell Spirax S3 AX	<ul style="list-style-type: none"> ■ Proven performance ■ Key OEM specifications 	Exceeds requirements of API GL-5 and MF-1; meets requirements of MIL-2105D; MAN 342 Type M2; and ZF-TE-ML
Shell Spirax S2 A	<ul style="list-style-type: none"> ■ Proven performance 	Meets requirements of API GL-5
Automatic transmissions		
Shell Spirax S4 ATF HDX	<ul style="list-style-type: none"> ■ Proven performance ■ Versatile application 	Meets requirements of Ford Mercon [®] ; General Motors Dexron [®] III G; Allison C4; Mercedes-Benz 236.9; 339 Type Z2 and 339 Type V2; Voith 55.6336 (ex. G1363); and ZF TE-ML 04D, 09, 14B, 16L and 17C
Shell Spirax S2 ATF D2	<ul style="list-style-type: none"> ■ Proven performance 	Meets requirements of General Motors Dexron [®] II and Allison C4



FULL PRODUCT AND SERVICE PORTFOLIO

Shell Lubricants is named the number one lubricants supplier [Kline & Company, 2009] and has a 60-year history of innovation. It constantly invests to develop better lubrication solutions, including advanced synthetic technologies such as

- Shell Rimula R5 LME synthetic heavy-duty engine oil
- Shell Spirax S6 AXME synthetic axle oil.

In addition, Shell provides the excellent Shell LubeAnalyst oil condition monitoring service, which is designed to help improve your business performance.

Whatever your needs or application, Shell can provide a full range of oils and greases, including synthetic, high-performance products and additional services.

For more information, please contact

shell.com/lubricants

"Shell Lubricants" refers to the various Shell companies engaged in the lubricants business.



**DESIGNED TO KEEP GOING.
JUST LIKE OUR AXLE,
GEAR AND TRANSMISSION
OILS – SHELL SPIRAX.**

DESIGNED TO MEET CHALLENGES



EVERY PART OF YOUR VEHICLE HAS BEEN METICULOUSLY ENGINEERED, SO YOU WANT TO BE SURE THAT YOU CHOOSE A LUBRICANT THAT HAS BEEN DESIGNED TO ENSURE YOUR EQUIPMENT IS WELL PROTECTED AND WORKS EFFICIENTLY.

The Shell Spirax range of axle, gear and automatic transmission fluids has been developed to enable drivers, fleet owners and owner operators to select the oil that will deliver optimum value to their operations through enhanced wear protection, long oil life and efficiency.

PROVEN WEAR PROTECTION

Protecting axles and gears from wear can help to reduce maintenance costs, extend vehicle life and maximise your return on investment.

The Shell Spirax range of axle and gear oils offers proven protection, including the latest synthetic oils that deliver exceptional wear, pitting, bearing-failure and corrosion protection for heavy-duty axles, transmissions and gears operating under highly stressed conditions. This can help to reduce your costs.

LONGER OIL AND COMPONENT LIFE

The longer an oil goes on protecting its components, the less maintenance your vehicle requires, so it can continue to operate with less interruption, which can reduce your maintenance costs. The Shell Spirax range contains oils that are designed to offer you value through exceptional oil life and protection that enable oil-drain intervals and component life to be extended. For example, in industry-standard oxidation tests, Shell Spirax S6 AXME axle oil remains in specification after four times the normal duration of the test, which means that it can go on protecting your vehicle components for longer.

EFFICIENCY

Shell Spirax oils are designed to help keep your transmission components protected so that they can go on working efficiently. For instance, Shell Spirax S6 AXME and Shell Spirax S6 GXME have special frictional properties and high fluidity that reduce power loss, lower the operating temperature and offer higher mechanical efficiency. These properties can help to deliver fuel efficiency and savings.

PERFORMANCE YOU CAN COUNT ON

The benefits of Shell Spirax S6 GXME and Shell Spirax S6 AXME have been demonstrated through extensive laboratory tests and over 20 million kilometres of field trials. Shell's axle and gear oils are developed in close co-operation with customers and equipment manufacturers. The Shell Spirax range is approved by many vehicle and automotive component manufacturers.

PRODUCT-NAME SUFFIX KEY

- A** = Axle
- ATF** = Automatic transmission fluid
- D** = Daimler/Dexron®
- E** = Energy efficiency
- G** = Gear
- HD** = Heavy duty
- LS** = Limited slip
- M** = (Low) maintenance
- M** = Mercon®/MAN
- U** = Allison
- V** = Voith
- X** = Multi-vehicle/multi-OEM
- Z** = ZF

APPLICATION ICON KEY

- Heavy truck
- Tractor
- Motorbike
- SUV
- Pickup
- Heavy truck cabover
- Passenger car
- Excavator
- Bus/coach
- Truck
- Tractor
- Motorbike
- SUV
- Pickup

INCREASINGLY EFFICIENT PROTECTION

ADVANCED TIER 5/6
PREMIUM TIER 3/4
MAIN LINE TIER 2

GEARBOXES AND MANUAL TRANSMISSIONS

Shell Spirax S6 GXME

SYNTHETIC

- Exceptional performance
- Energy efficient
- Maintenance saving



Greater fuel efficiency and lower maintenance

AXLES

Shell Spirax S6 AXME

SYNTHETIC

- Exceptional performance
- Energy efficient
- Maintenance saving



Greater fuel efficiency and lower maintenance

Shell Spirax S3 AX

- Proven performance
- Designed for OEMs/MAN/Daimler



Shell Spirax S2 A

- Proven performance



Shell Spirax S2 G

- Proven performance



AUTOMATIC TRANSMISSIONS

Shell Spirax S4 ATF HDX

- Proven performance
- Versatile application



Shell Spirax S2 ATF D2

- Proven performance
- Dexron® IID



Contact your Shell representative to find out about the full range of Shell Spirax axle, gear and automatic transmission fluids, including products specifically designed for the construction and agriculture industries

THE BENEFITS OF USING DEDICATED AXLE AND GEAR OILS

Many gearboxes and axles use different materials and operate under different conditions. A single oil used for both applications may lead to a compromise in either or both the axle and gearbox wear protection and efficiency. Shell Spirax oils have been specifically designed to meet the challenges and requirements of many industry-leading automatic transmission, axle and gear manufacturers.

The oils are formulated by Shell's scientists to help deliver the specific oxidation, shear stability and performance characteristics needed to best provide protection, power and efficiency for each application.

Shell Spirax S6 GXME and Shell Spirax S6 AXME – For the longest oil life in the Shell range

